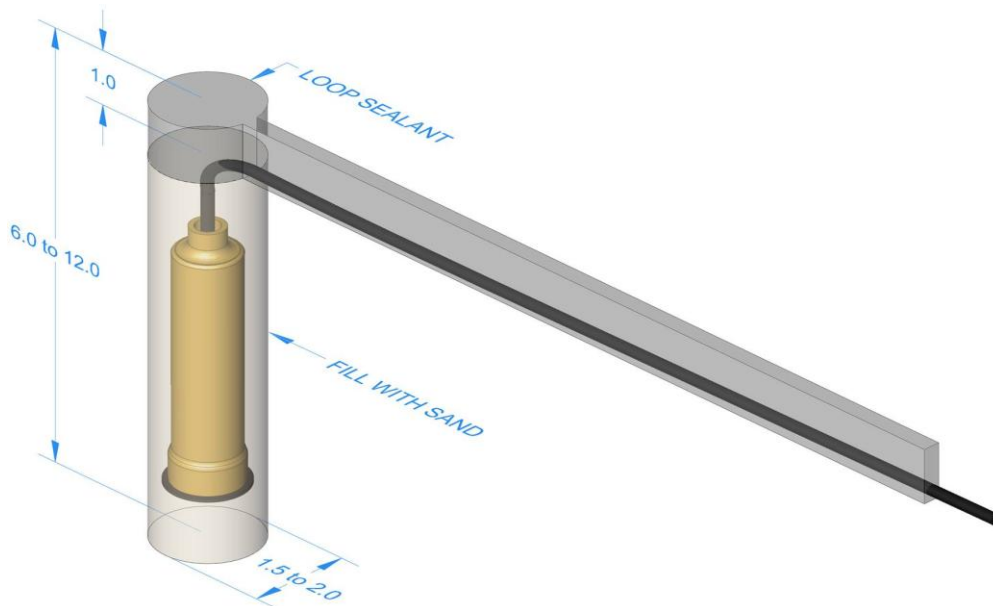
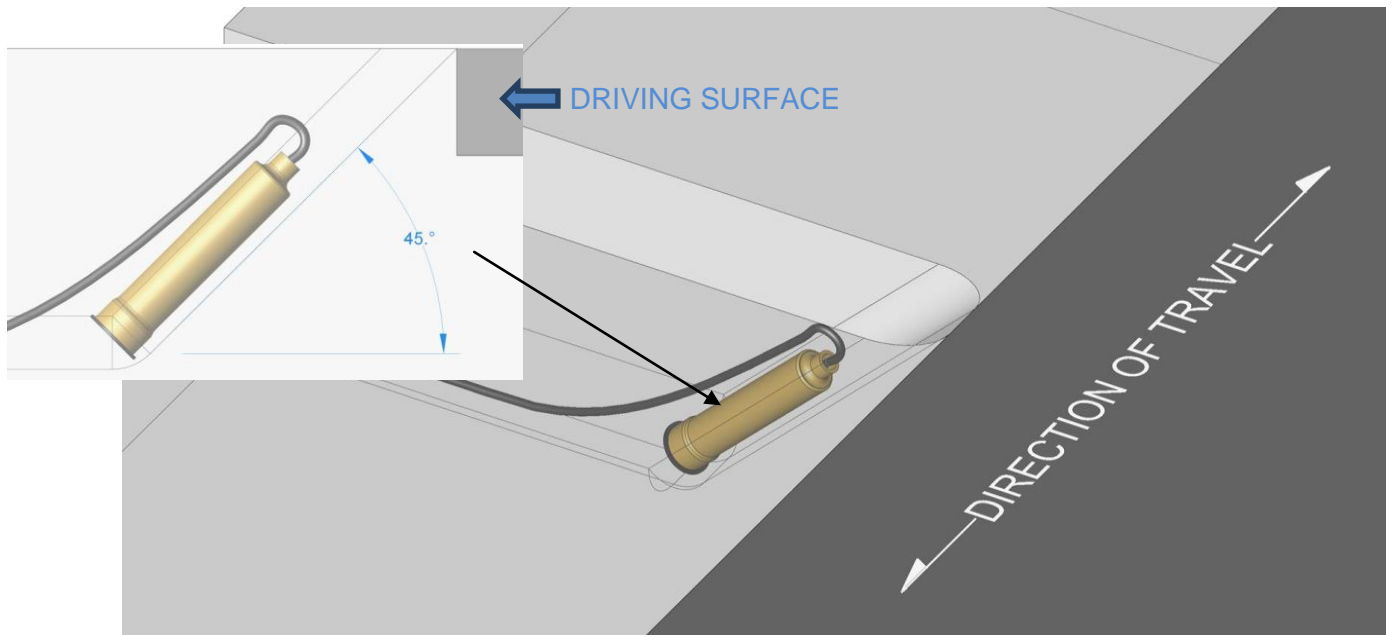


Mini-Loop Probe Install Instructions



CENTER OF DETECTION ZONE PLACEMENT



OPTIONAL SIDE DETECTION ZONE PLACEMENT

NOTE: If you have any questions regarding the installation of the Mini Loop Probe or questions with the Mini Loop compatible DML-9LP or DSP-50 detectors please call technical support.

Diablo Controls Inc. Technical Support (866)395-6677 Ext.2